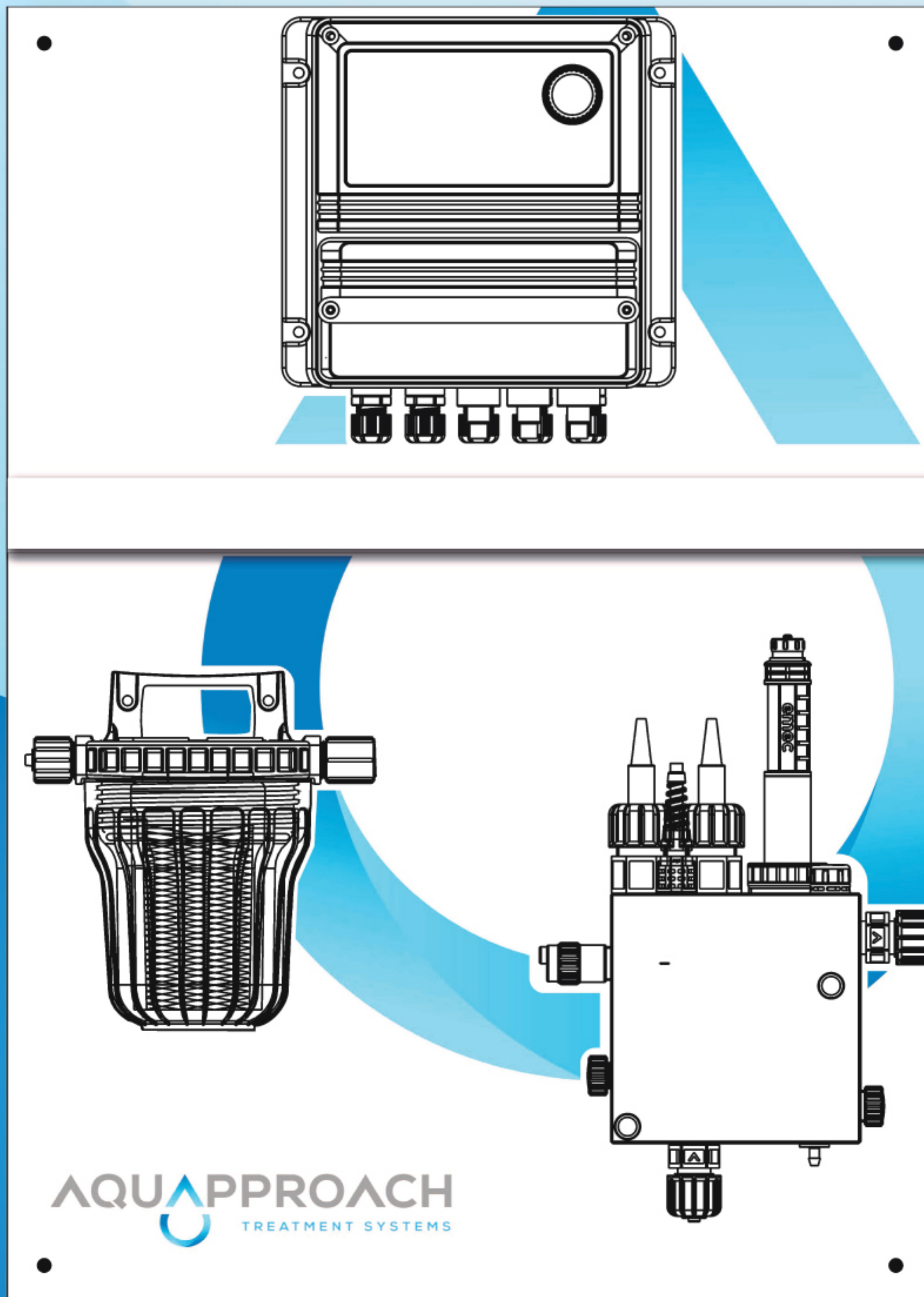


## Simple. Safe. Sanitation. Disinfection Analyzer



### Parameters

- pH
- Chlorine
- Hydrogen Peroxide
- Ozone
- Peracetic Acid
- Chlorine Dioxide
- Bromine

### Features

- Dual parameter control
- Water meter input
- Alarms
- Stand-by input
- Remote connectivity
- MODBUS
- Turnkey panels available